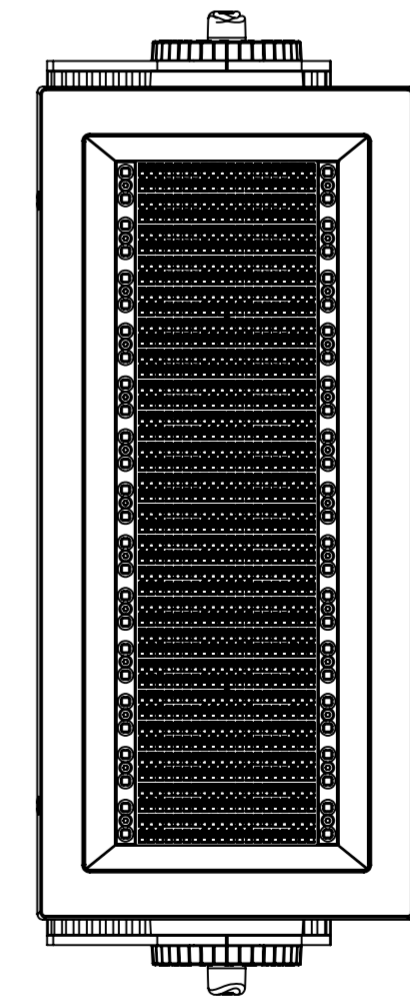
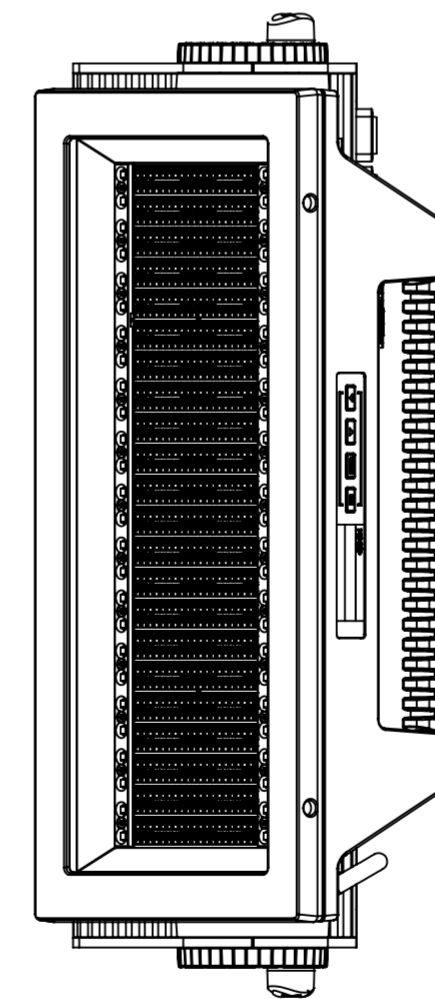
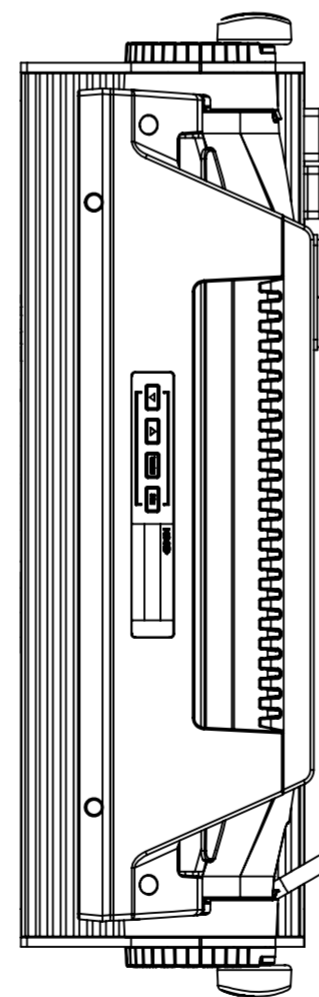
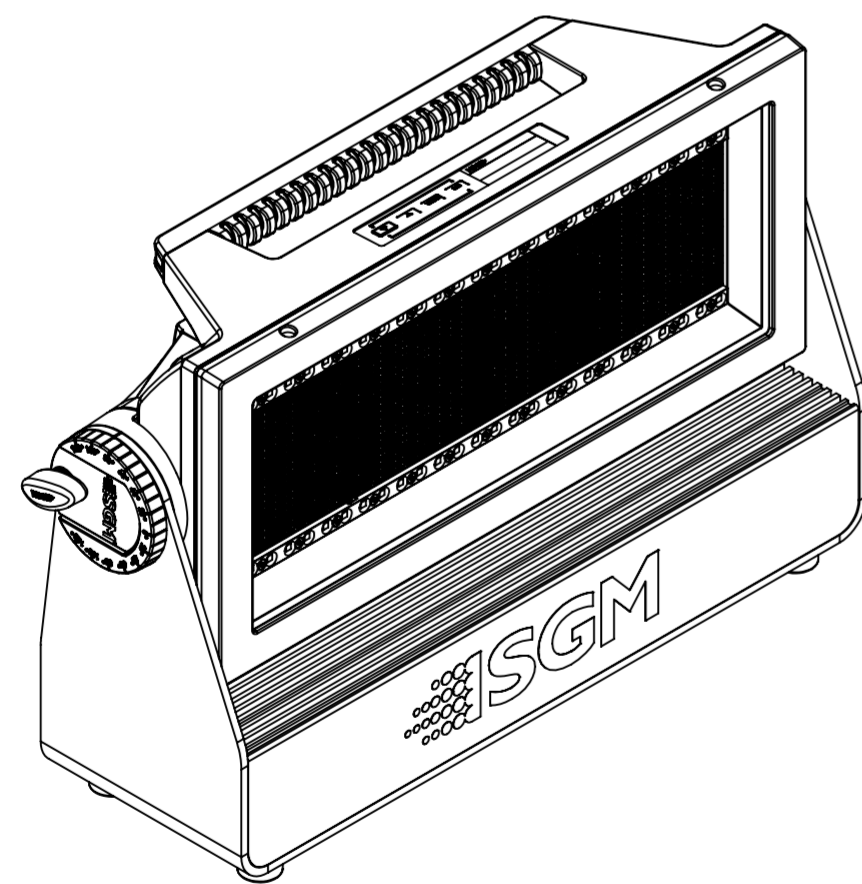
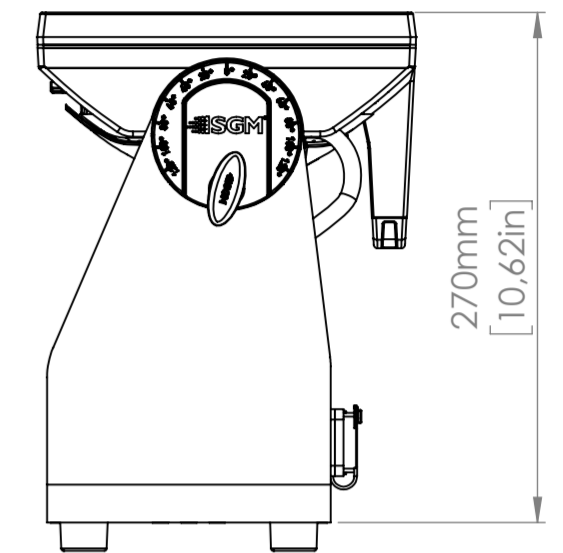
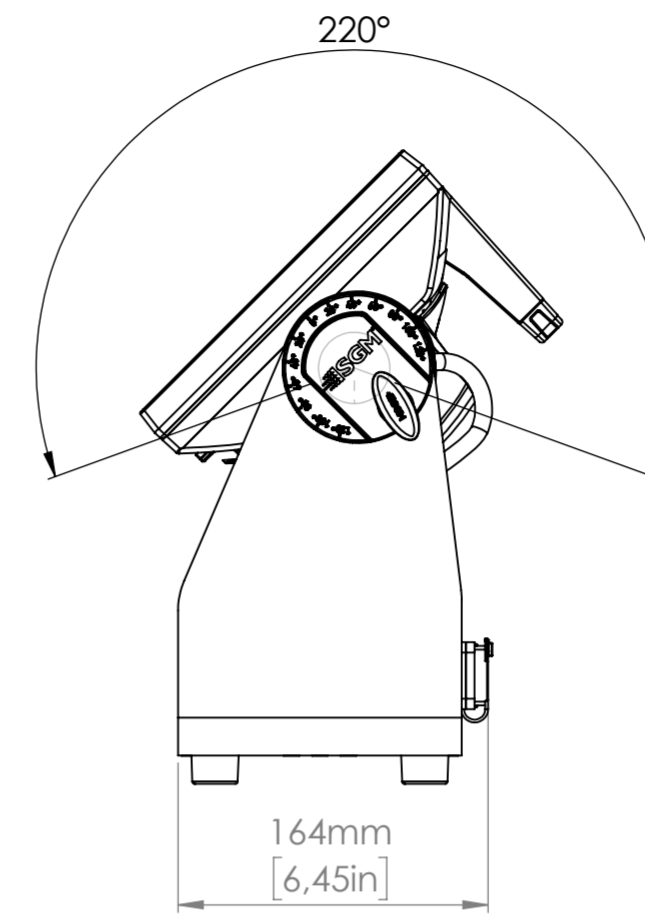
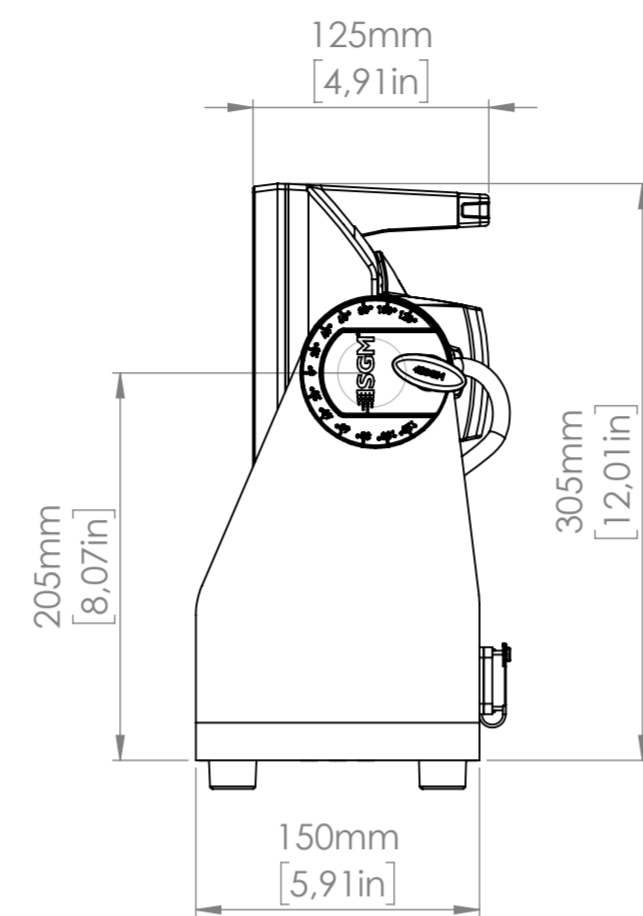
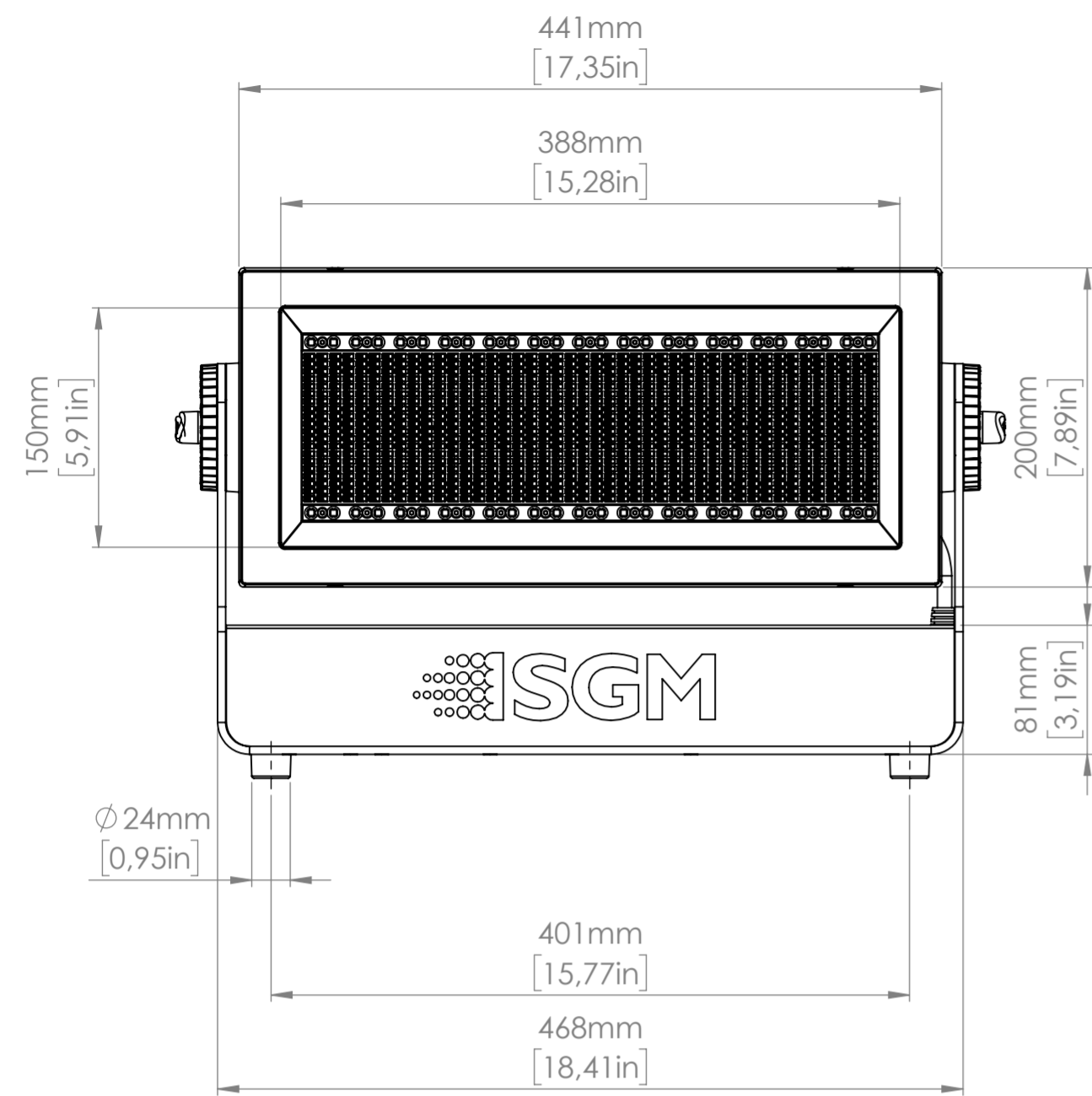


REVISIONS				
REV.	DESCRIPTION	ECO	DATE	CHANGED BY



Tolerances according to ISO 2768-1: M

Nominal size	Permissible deviations
0.5	±0.1
up to 3	
over 3	
up to 6	±0.2
over 6	
up to 30	
over 30	±0.3
up to 120	
over 120	
up to 400	±0.5
over 400	
up to 1000	
over 1000	±0.8
up to 2000	
over 2000	±1.2

DEBUR AND BREAK SHARP EDGES		DO NOT SCALE DRAWING	
		All Dimensions are in mm	
NAME	DATE	TITLE:	
Created By	6. marts 2018 13:27:36	Q-8 Flood Strobe, Std, BL	
Last saved By	bar 18. marts 2021 16:21:34		
FINISH:		DWG NO.	
MATERIAL:		80031750-	
Material <not specified>		A_Service	
WEIGHT: 13369.95		SCALE:1:5	

ISGM PAPER SIZE: A2

TITLE: Q-8 Flood Strobe, Std, BL

DWG NO. 80031750-A_Service

SCALE:1:5